

ISSUE	DESCRIPTION	APP'D	DATE
1			

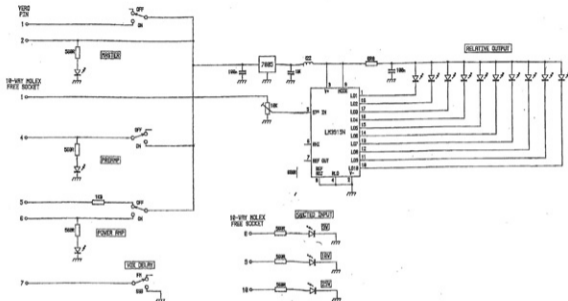


MICROWAVE MODULES LTD

TITLE  
 RML144/288-S  
 14-MHz 200W LINEAR  
 AMPLIFIER

DRAWN	TRACED	CHECKED	APPROVED	DATE
RVC			dfc	4/7/86

DRAWING No. 858348 -



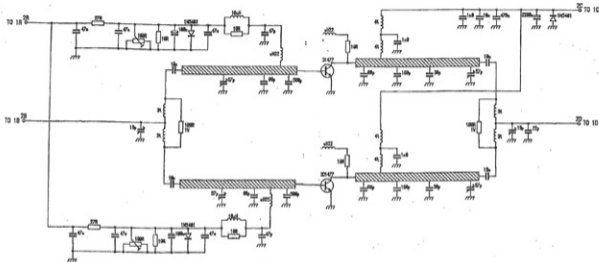
ISSUE	DESCRIPTION	APP'D	DATE
1			25/6/86



MICROWAVE MODULES LTD

TITLE  
MML144/200-S  
LINEAR AMPLIFIER  
FRONT PANEL

DRAWN	TRACED	CHECKED	APPROVED	DATE
VGM			DFP	25/6/86
DRAWING No. 859358 -				



ISSUE	DESCRIPTION	APP'D	DATE
1		CB	7/78

 MICROWAVE MODULES LTD

TITLE  
MML144/200-S  
144MHz 200W LINEAR  
AMPLIFIER

DRAWN	TRACED	CHECKED	APPROVED	DATE
FW			DF	4/7/86
DRAWING No. 859340				